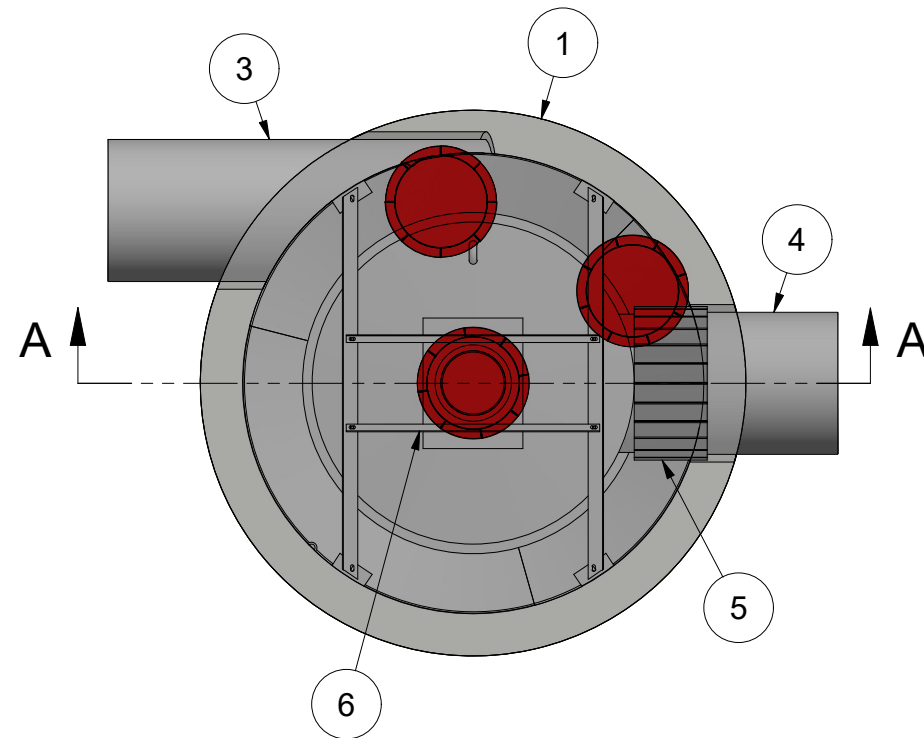
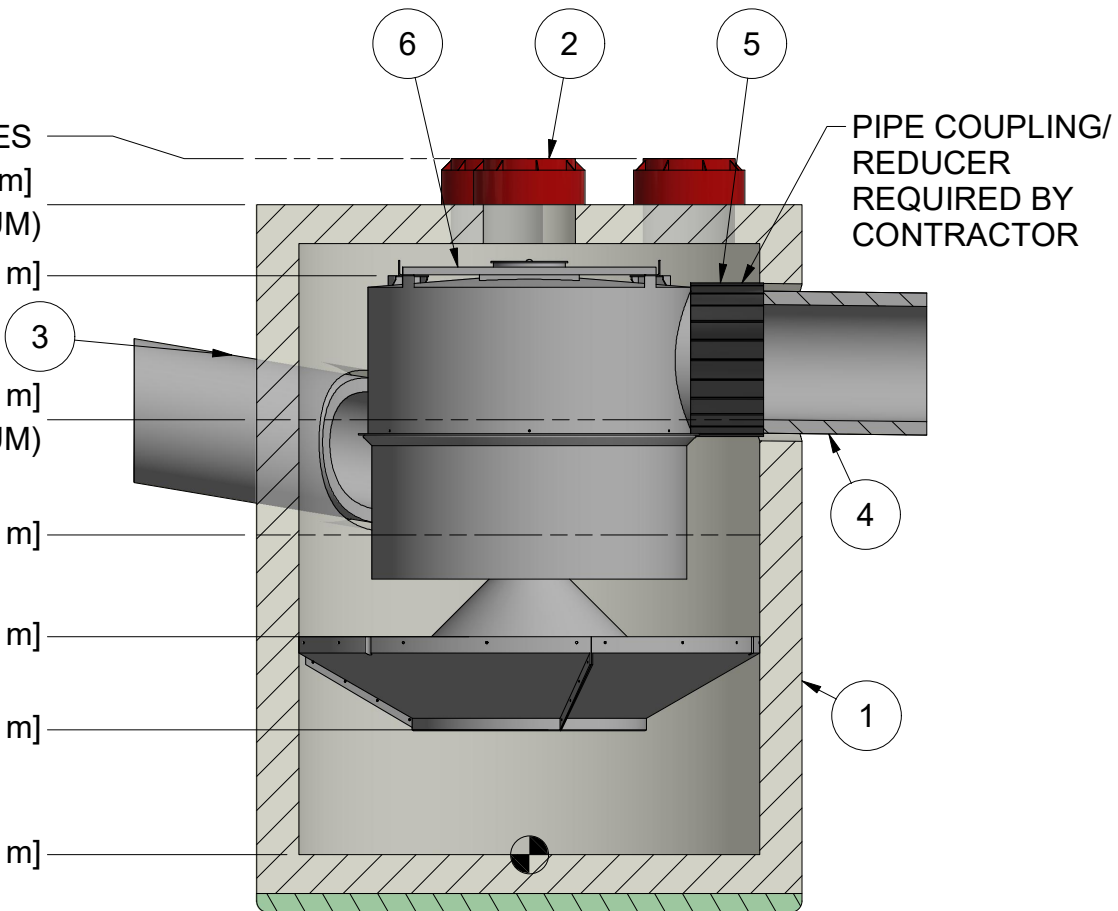


OUTLET STUB ID: 30" (750 mm)  
 OUTLET STUB OD: 36" (900 mm)



RIM: VARIES  
 T.O.S.: 14.1 ft [4.299 m]  
 (MINIMUM)  
 LEDGER: 12.56 ft [3.829 m]  
 OUTLET: 9.44 ft [2.877 m]  
 (MINIMUM)  
 INLET: 6.94 ft [2.115 m]  
 SKIRT: 4.73 ft [1.441 m]  
 BOTTOM OF INTERNALS: 2.71 ft [.826 m]  
 SUMP: 0 ft [.000 m]

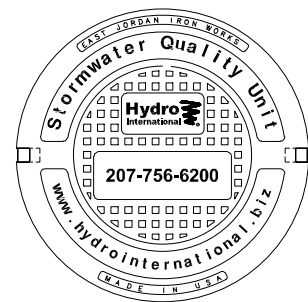


PIPE COUPLING/  
 REDUCER  
 REQUIRED BY  
 CONTRACTOR

STONE BASE  
 PER PROJECT  
 SPECIFICATIONS

**SECTION A-A**

NOTE: NOT FOR CONSTRUCTION.  
 CONTACT HYDRO FOR SITE  
 SPECIFIC DETAIL



**HYDRO FRAME AND COVER (INLCUDED)**  
 GRADE RINGS BY OTHERS  
 AS REQUIRED

1. MANHOLE WALL AND SLAB THICKNESSES ARE NOT TO SCALE.  
 2. CONTACT HYDRO INTERNATIONAL FOR A BOTTOM OF STRUCTURE ELEVATION PRIOR TO SETTING DOWNSTREAM DEFENDER MANHOLE.



**IF IN DOUBT ASK**

DATE: 12/7/2020 SCALE: 1 / 50  
 DRAWN BY: ER CHECKED BY: MRJ APPROVED BY:

Title: 10ft-DIAMETER  
 DOWNSTREAM DEFENDER

GENERAL ARRANGEMENT



WEIGHT: N/A MATERIAL:  
 STOCK NUMBER: NEXT ASSY  
 DRAWING NO.: DD GA-10  
 SHEET SIZE: B SHEET: 1 OF 1 Rev: A

**EQUIPMENT PERFORMANCE**

The stormwater treatment unit shall adhere to the hydraulic parameters given in the chart below and provide the removal efficiencies and storage capacities as follows:

1. The treatment system shall use an induced vortex to separate pollutants from stormwater runoff.
2. Peak Hydraulic Capacity: 25.0 cfs (708 l/s)
3. Sediment Storage Capacity: 8.70 cu. yd. (6.65 cu. m)
4. Continuous Oil Storage Capacity: 1050 gal. (3975 liters)
5. Sediment shall be stored in a zone that is isolated from the main flow path and protected from reentrainment by a benching skirt.
6. For more product information including regulatory acceptances, please visit <https://hydro-int.com/en/products/downstream-defender>

**PARTS LIST**

ITEM	QTY	SIZE (in)	SIZE (mm)	DESCRIPTION
1	1	120	3000	PRECAST MANHOLE (BY HYDRO VIA PRECASTER)
2	3	24	600	FRAME AND COVER (QTY 3)
3	1	30 (MAX)	750 (MAX)	INLET PIPE (BY OTHERS)
4	1	30 (MAX)	750 (MAX)	OUTLET PIPE (BY OTHERS)
5	1			PIPE COUPLING (BY OTHERS)
6	1			INTERNAL COMPONENTS (PRE-INTALLED)