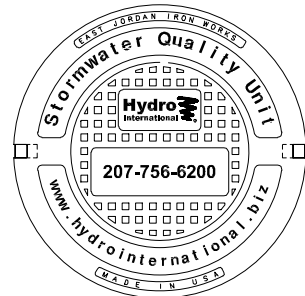
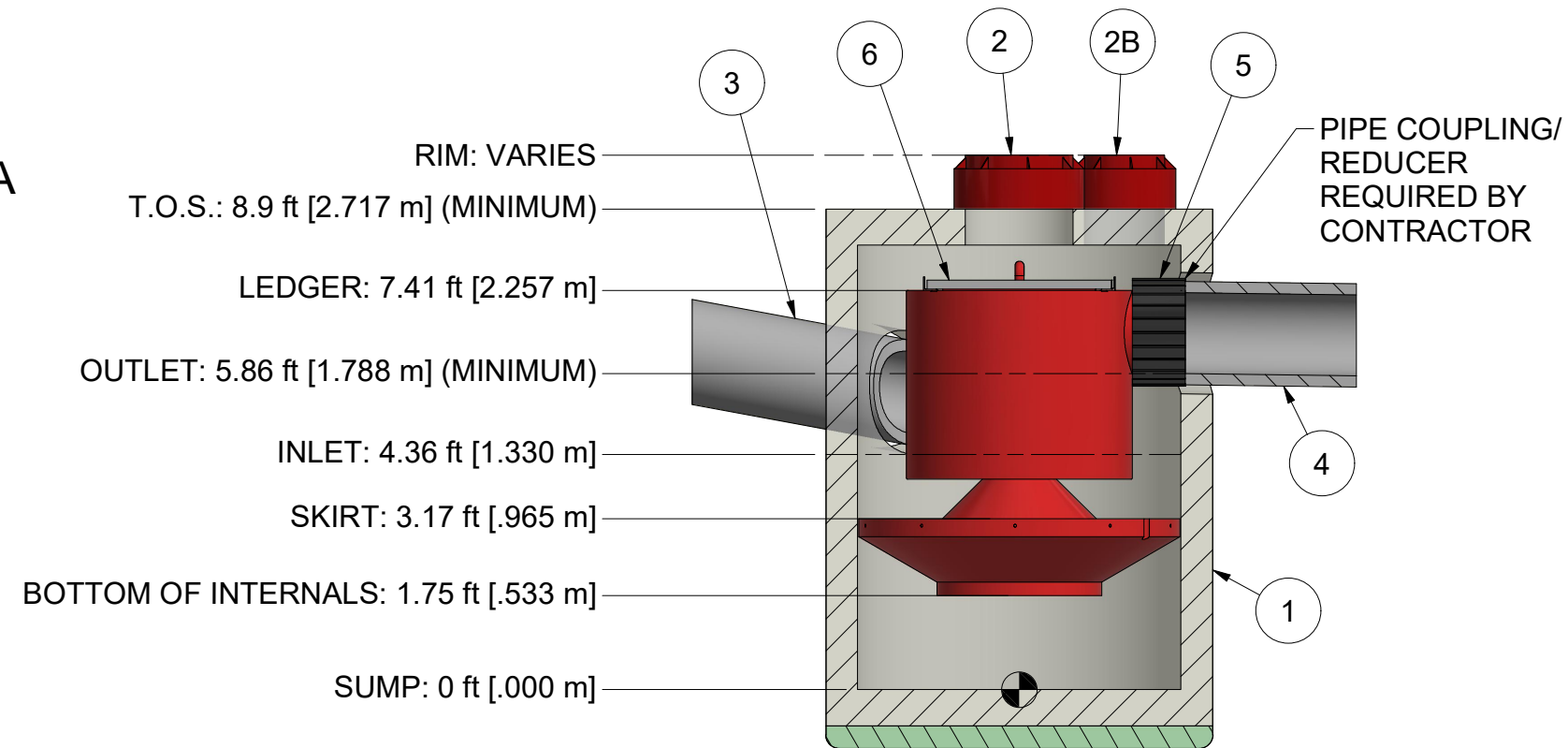
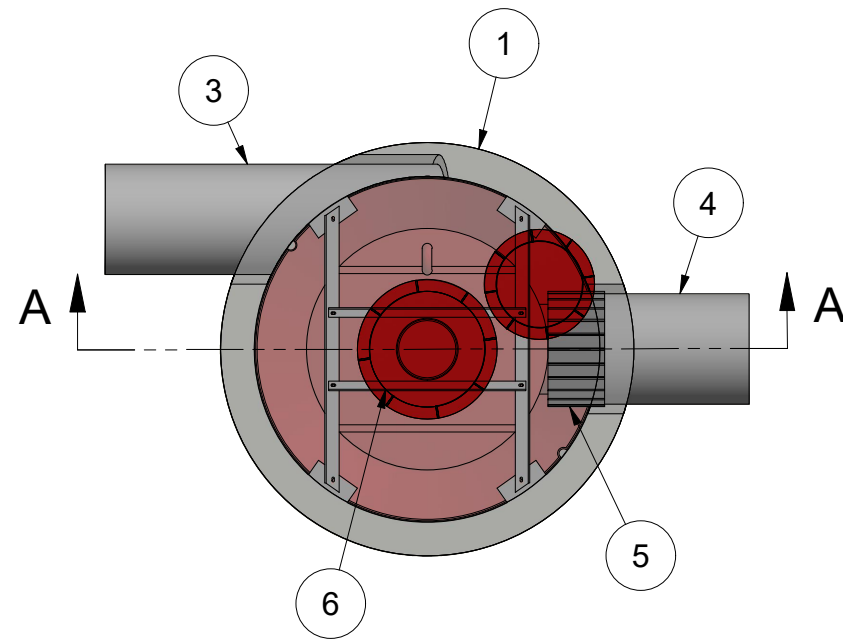


OUTLET STUB ID: 18" (450 mm)  
 OUTLET STUB OD: 18.7" (475 mm)



**HYDRO FRAME AND COVER (INLCUDED)**  
 GRADE RINGS BY OTHERS  
 AS REQUIRED

STONE BASE  
 PER PROJECT  
 SPECIFICATIONS

**SECTION A-A**

NOTE: NOT FOR CONSTRUCTION.  
 CONTACT HYDRO FOR SITE  
 SPECIFIC DETAIL

1. MANHOLE WALL AND SLAB THICKNESSES ARE NOT TO SCALE.
2. CONTACT HYDRO INTERNATIONAL FOR A BOTTOM OF STRUCTURE ELEVATION PRIOR TO SETTING DOWNSTREAM DEFENDER MANHOLE.



**IF IN DOUBT ASK**

DATE: 10/8/2019	SCALE: 1 / 50	
DRAWN BY: ER	CHECKED BY: MRJ	APPROVED BY:
Title 6ft-DIAMETER		

**EQUIPMENT PERFORMANCE**

The stormwater treatment unit shall adhere to the hydraulic parameters given in the chart below and provide the removal efficiencies and storage capacities as follows:

1. The treatment system shall use an induced vortex to separate pollutants from stormwater runoff.
2. Peak Hydraulic Capacity: 8.0 cfs (227 l/s)
3. Sediment Storage Capacity: 2.10 cu. yd. (1.59 cu. m)
4. Continuous Oil Storage Capacity: 216 gal. (818 liters)
5. Sediment shall be stored in a zone that is isolated from the main flow path and protected from reentrainment by a benching skirt.
6. For more product information including regulatory acceptances, please visit <https://hydro-int.com/en/products/downstream-defender>

**PARTS LIST**

ITEM	QTY	SIZE (in)	SIZE (mm)	DESCRIPTION
1	1	72	1800	PRECAST MANHOLE (BY HYDRO VIA PRECASTER)
2	3	24	600	FRAME AND COVER
2B	1	18	450	FRAME AND COVER
3	1	18 (MAX)	450 (MAX)	MAX INLET PIPE (BY OTHERS)
4	1	18 (MAX)	450 (MAX)	MAX OUTLET PIPE (BY OTHERS)
5	1			PIPE COUPLING (BY OTHERS)
6	1			INTERNAL COMPONENTS (PRE-INTALLED)

**GENERAL ARRANGEMENT**



WEIGHT: N/A	MATERIAL:	
STOCK NUMBER: NEXT ASSY		
DRAWING NO.: DD GA-10		
SHEET SIZE: B	SHEET: 1 OF 1	Rev: A