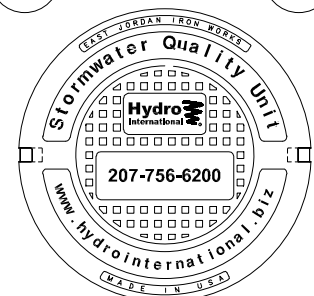
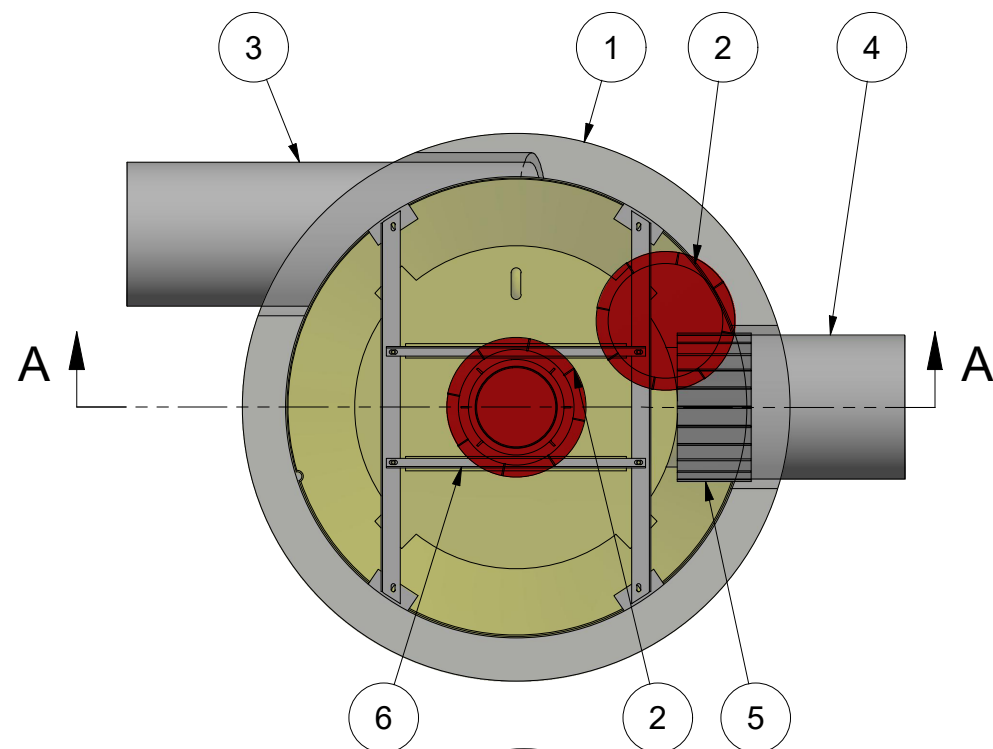
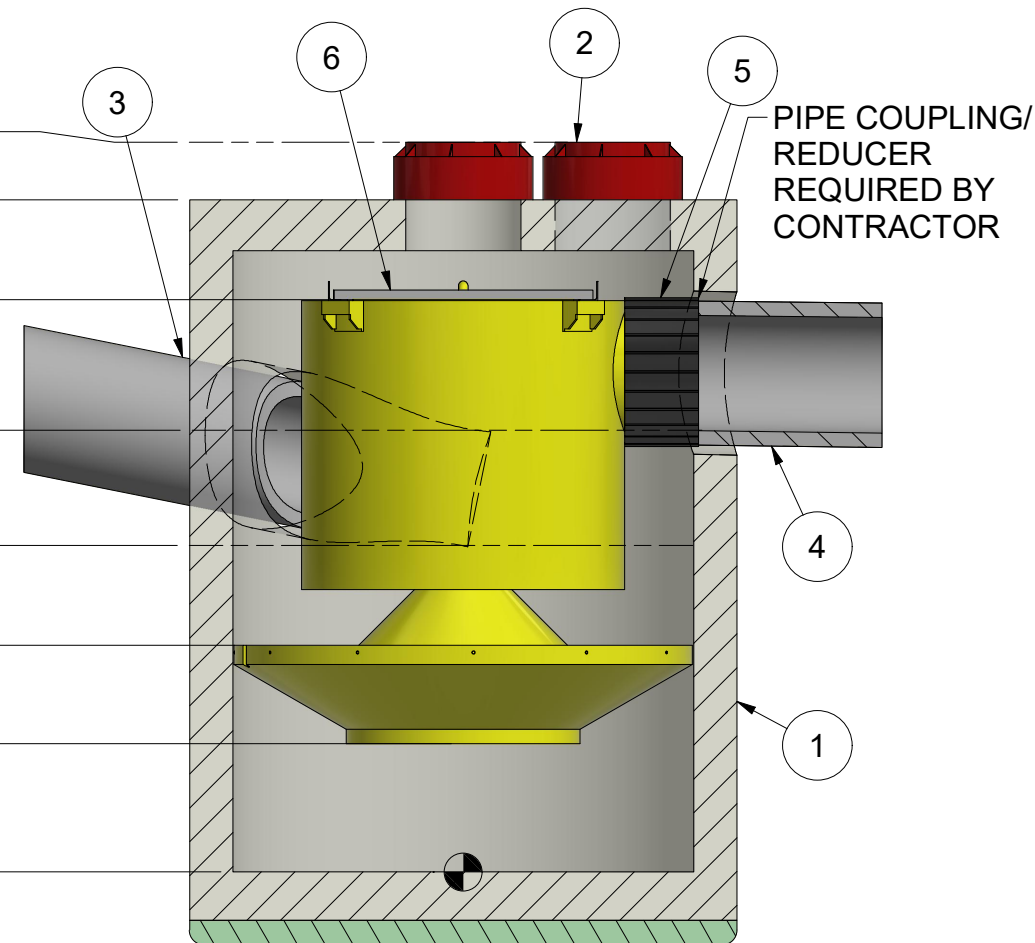


OUTLET STUB ID: 24" (600 mm)
 OUTLET STUB OD: 24.8" (630 mm)



HYDRO FRAME AND COVER (INLCUDED)
 GRADE RINGS BY OTHERS
 AS REQUIRED

RIM: VARIES
 T.O.S.: 11.67 ft [3.556 m]
 (MINIMUM)
 LEDGER: 9.94 ft [3.030 m]
 OUTLET: 7.67 ft [2.337 m]
 (MINIMUM)
 INLET: 5.67 ft [1.727 m]
 SKIRT: 3.94 ft [1.200 m]
 BOTTOM OF INTERNALS 2.23 ft [.680 m]
 SUMP: 0 ft [.000 m]



STONE BASE
 PER PROJECT
 SPECIFICATIONS

SECTION A-A

NOTE: NOT FOR CONSTRUCTION.
 CONTACT HYDRO FOR SITE
 SPECIFIC DETAIL

1. MANHOLE WALL AND SLAB THICKNESSES ARE NOT TO SCALE.
2. CONTACT HYDRO INTERNATIONAL FOR A BOTTOM OF STRUCTURE ELEVATION PRIOR TO SETTING DOWNSTREAM DEFENDER MANHOLE.



IF IN DOUBT ASK

DATE: 12/8/2020 SCALE: 1 / 50
 DRAWN BY: ER CHECKED BY: MRJ APPROVED BY:

Title
 8ft DIAMETER
 DOWNSTREAM DEFENDEER

GENERAL ARRANGEMENT



WEIGHT: N/A MATERIAL:
 STOCK NUMBER:
 DRAWING NO.: DD GA-8
 SHEET SIZE: B SHEET: 1 OF 1 Rev: B

EQUIPMENT PERFORMANCE

The stormwater treatment unit shall adhere to the hydraulic parameters given in the chart below and provide the removal efficiencies and storage capacities as follows:

1. The treatment system shall use an induced vortex to separate pollutants from stormwater runoff.
2. Peak Hydraulic Capacity: 15.0 cfs 425 l/s)
3. Sediment Storage Capacity: 4.65 cu. yd. (3.56 cu. m)
4. Continuous Oil Storage Capacity: 540 gal. (2044 liters)
5. Sediment shall be stored in a zone that is isolated from the main flow path and protected from reentrainment by a benching skirt.
6. For more product information including regulatory acceptances, please visit <https://hydro-int.com/en/products/downstream-defender>

PARTS LIST

| ITEM | QTY | SIZE (in) | SIZE (mm) | DESCRIPTION |
|------|-----|-----------|-----------|--|
| 1 | 1 | 96 | 2400 | PRECAST MANHOLE (BY HYDRO VIA PRECASTER) |
| 2 | 2 | 24 | 600 | FRAME AND COVER |
| 3 | 1 | 24 (MAX) | 600 (MAX) | INLET PIPE (BY OTHERS) |
| 4 | 1 | 24 (MAX) | 600 (MAX) | OUTLET PIPE (BY OTHERS) |
| 5 | 1 | | | PIPE COUPLING (BY OTHERS) |
| 6 | 1 | | | INTERNAL COMPONENTS (PRE-INTALLED) |